

Specification Sheet

microframe®

Model 6200 Timer Keypad



Features

The 6200 Timer Keypad connects to either the Model 940 (4-digit), Model 960 (6-digit) Displays with 18 AWG 2-conductor wire (also sold separately). The 6200 Series is a simple and effective count up or down timer for managing timed speaking events, including on-stage performances, or radio/television broadcasts.

The 6200 Timer Keypad has its own LCD display that allows the user to view the same time that is displayed on the Model 940 and 960 displays. The timer can be programmed to automatically reset and reload or reset and start over. The keypad's LCD display shows both A and B timers simultaneously and allows the user to select which timer will appear on the display. Changes entered on one timer do not affect the contents and/or mode of the other timer. Either timer can count up or down and start or stop independently. Note: The timer can also start and stop with external remote push buttons, available from Microframe. Please call for further information.

The 6200 Timer Keypad has a user-programmable Flash Feature. By simply pressing a button, the display will flash to catch the attention of the person speaking. This is ideal for live television or radio broadcasts where timing is critical. After flashing, the display then reverts to the normal timer display mode. You can continue to press the flash button as frequently as desired.

Model 6200 Timer Keypad Specifications

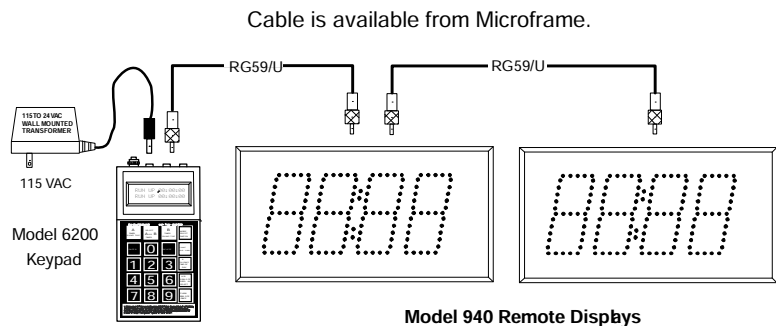
Local Keypad Display	Backlit LCD Screen
Timers	Timer A, Timer B, and TOD (clock)
Max Keypads in System	One Keypad
Dimensions	7.5" x 4.0" x 1.5"
Input Power	115 VAC into Power Adapter
Power Adapter	24 VAC, 1.2A Standard, 2.5A Optional
Fuse Requirements	1.6A Fast-Acting Fuse (5mm x 20mm) or 2.5A
Line Frequency	50 or 60 Hz

Related Product



Model 940 Display
Sold separately.

Multiple Display Configuration



Microframe Corporation
604 South 12th Street
Broken Arrow, OK 74012
800-635-3811
www.microframecorp.com