



# MODEL 9010 SPECIFICATIONS

## Keypad

### Features

This keypad displays four or six sets of numbers at a time on the LCD screen. The low profile membrane keypad and ABS plastic case fits snugly into the included wall mount bracket.

### Operation

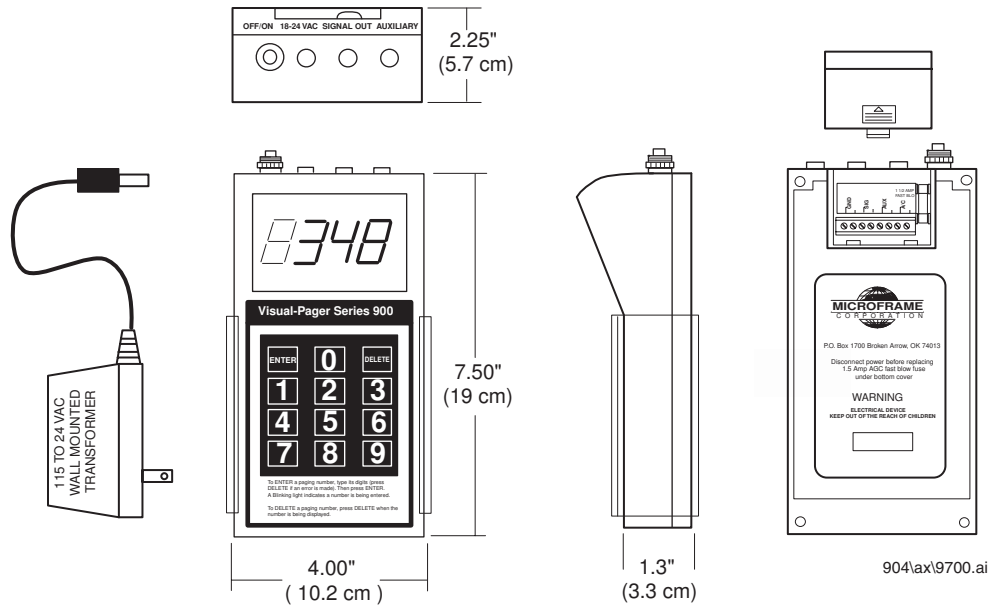
Page servers or guests with this multi-number keypad. Numbers entered on this keypad will be displayed on remote displays.

In 2-Digit mode the keypad will show 6 sets of numbers at a time. This mode is compatible with 920, 9320, and 9620 displays.

In 3-Digit mode the keypad will show 4 sets of numbers at a time. This mode is compatible with 930, 9230, and 9430 displays.



**Microframe® Model 9010 Keypad**



### Model 9010 Specifications

Local Keypad Display .....	Backlit LCD screen
Maximum Numbers Stored .....	32 numbers
Maximum Keypads in System .....	32 keypads
Input Power .....	115 VAC into power adapter
Power Adapter .....	24 VAC, 1.2A standard, 2.5A optional
Line Frequency .....	50 or 60 Hz
Fuse Requirements .....	1.6A fast-acting fuse (5mm x 20mm) or 2.5A
Weight .....	0.75 lb (0.4 kg), with transformer 2.25 lb (1.0 kg)

**Sales and Support**  
**1-800-635-3811**

**Microframe® Corporation**  
 P.O. Box 1700  
 Broken Arrow, OK 74013  
[www.microframecorp.com](http://www.microframecorp.com)