

# 9200-0011 Specifications Photoelectric Sensor

**Features**

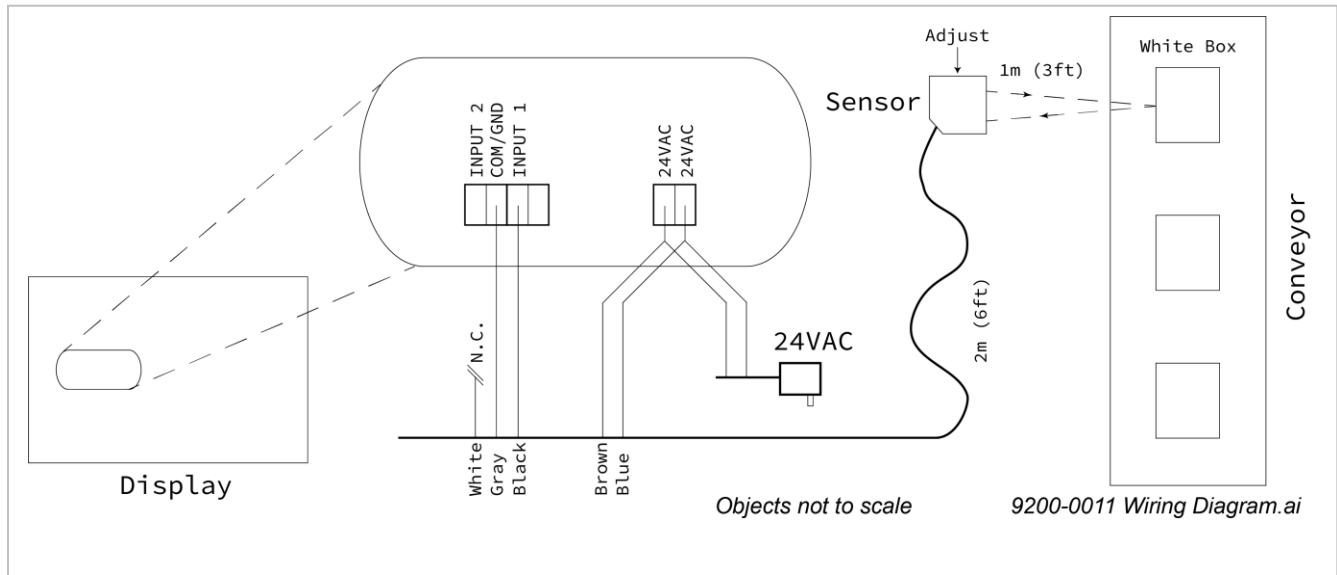
Detects objects via reflected IR beam  
Works with button inputs on D5100 / D6500 displays  
Useful for counting products or triggering timer inputs

**Installation**

Mount sensor beside the conveyor or overhead. Provide a contrasting background.  
Adjust sensitivity until the sensor can distinguish items from the background.

**Kit Contents**

(1) Photo-electric sensor w/ 2m (6ft) cable



9200-0011 Specifications	
Voltage Input Requirements.....	24 to 240V AC/DC
Light Source.....	Infrared
Sensing Distance by object color .....	Gray: 1m (3.28ft). White: 1.5m (4.92ft).
Operating Temperature.....	-25°C to 55°C (-13°F to 131°F)
Ingress Protection.....	IP65
Dimensions.....	50 x 50 x 18 mm (1.97 x 1.97 x 0.71 in)
Color.....	Blue
Action.....	Open or close on object detect
Output.....	Relay