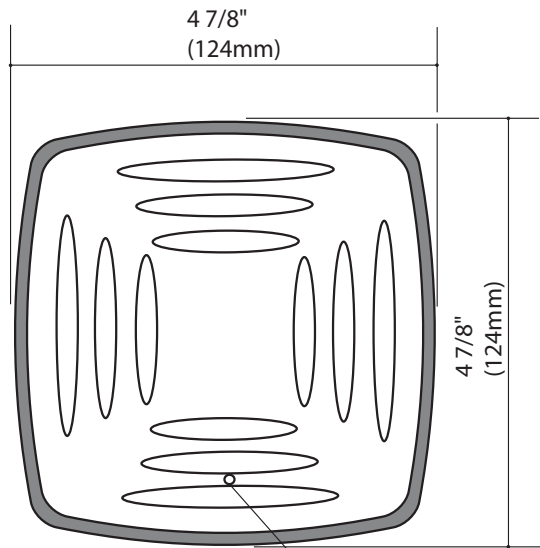


**Description**

The Model 9200-0008 is a weatherproof horn with an adjustable volume control. This horn works in conjunction with Microframe's Visual Displays and provides audible signaling in even the loudest environments. It is recommended for commercial or industrial use, and is ideal for timed sporting events.

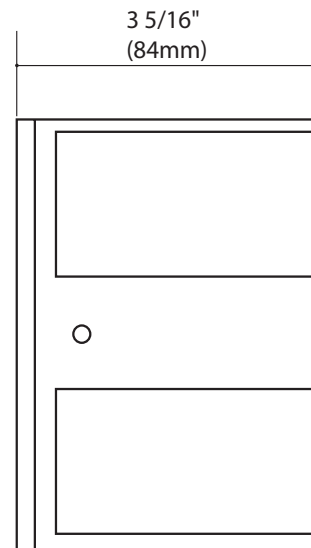


**Model 9200-0008 Weatherproof Horn**



TOP VIEW

VOLUME ADJUSTMENT SET SCREW



SIDE VIEW

**Model 9200-0008 Weatherproof Horn Specifications**

Operating Voltage.....	24V 50/60 Hz, Current 0.63A
Power Input Requirements .....	Power supplied by visual display
Output.....	Adjustable 78 to 103 dB
Box .....	Die-cast with powder epoxy gray finish
Weight .....	2 lbs 13 oz (1.35 kg)
Country of Manufacture .....	USA

**Support and Sales**

**800-635-3811**

**Microframe® Corporation**  
[www.microframecorp.com](http://www.microframecorp.com)

PO Box 1700  
 Broken Arrow, OK 74013