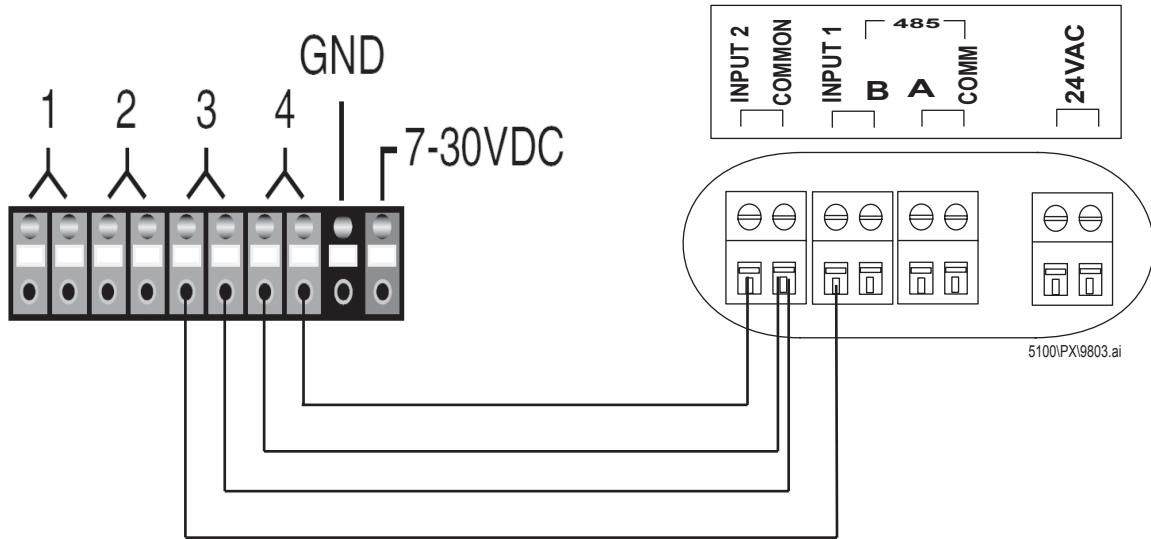


# Wiring Diagrams To Connect Key Fob

The diagram below shows a How to connect the Key Fob receiver to the display. Also shows how to use your wireless Key Fob.

**Note:** While each display may have its own receiver, an individual receiver should not be connected to multiple displays.



The Key fob allow you to increment the display with one button and decrement the display with the other button. When both buttons are pressed at the same time the display will reset.



The receiver will need to be connected to the display as shown above. This will listen for the buttons to be pressed on the key fob.

