

Specification Sheet

microframe®

Model 910 Visual-Pager® Keypad



Features

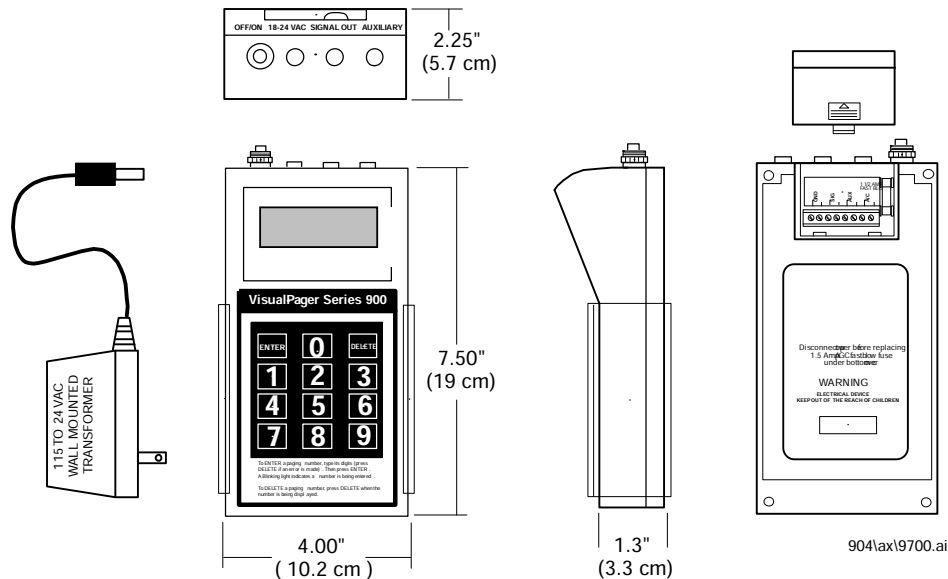
The Microframe Visual-Pager® is the most economical solution to on-premise paging. Simply enter the number you wish to page into the Model 910 Visual-Pager® Keypad, and the number immediately appears on the displays. The keypad provides the power to the displays, which can be daisy-chained and wired together. In 4-Digit mode this keypad is compatible with the Model 920, 930, 940, and 960 displays. In 6-Digit mode this keypad is compatible with the Model 960 display.

Completely Expandable

Fully accommodates multiple keypads and displays.

Operation

Once a number is entered into the keypad, the number is sent immediately to the remote display. The keypad will store up to 32 four-digit numbers and display them sequentially until the operator deletes them.



Model 910 Visual-Pager® Keypad Specifications

Local Keypad Display	Built-In LCD Readout
Maximum Number of Digits	Six digits
Maximum Number of Keypads	Up to 12 Keypads
Maximum Numbers Stored	32 numbers
Power Input Requirements	24 VAC 1.2 Amps supplied by adapter
Adapter Power Requirements	115 VAC @.72 Amps
Fuse Requirements	1.5 Amp GMA (5mm x 20mm) fast-acting fuse
Compatibility	Model 920, 930, 940, and 960 displays
Dimensions	7.5" x 4.0" x 1.5"
Weight	.75 lb (0.4 kg) with adapter 2.25 lbs (1.0 kg)

Microframe Corporation
604 South 12th Street
Broken Arrow, OK 74012
800-635-3811
www.microframecorp.com